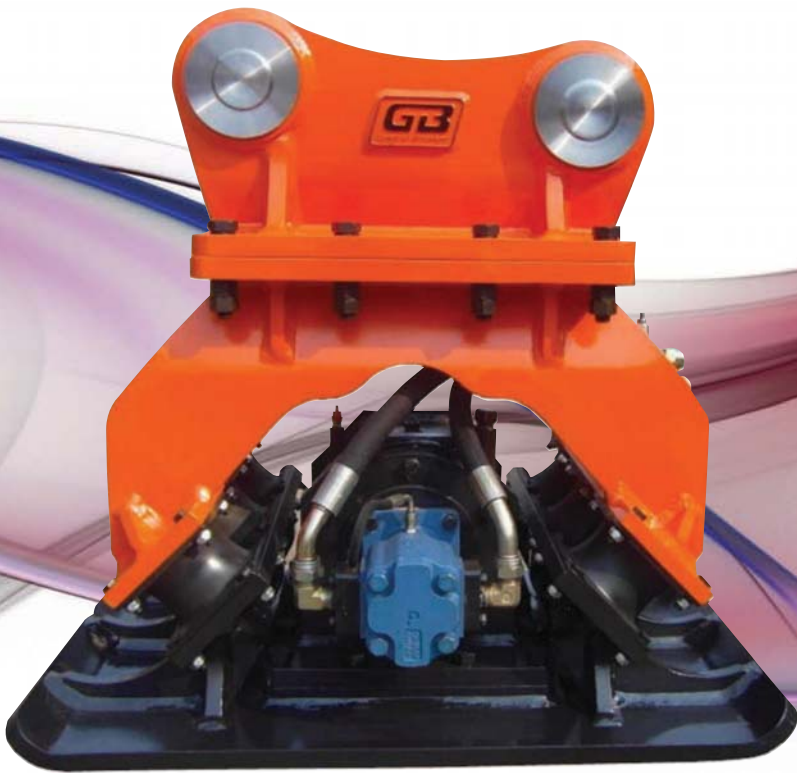




# COMPACTOR

**Highly effective in compacting  
the simple road works**



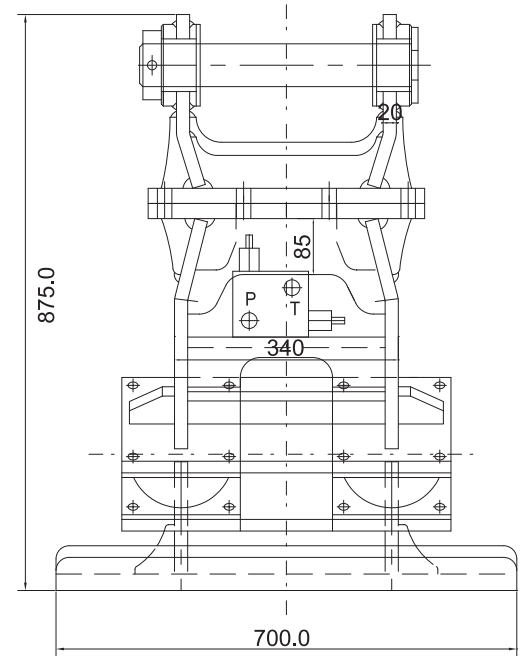
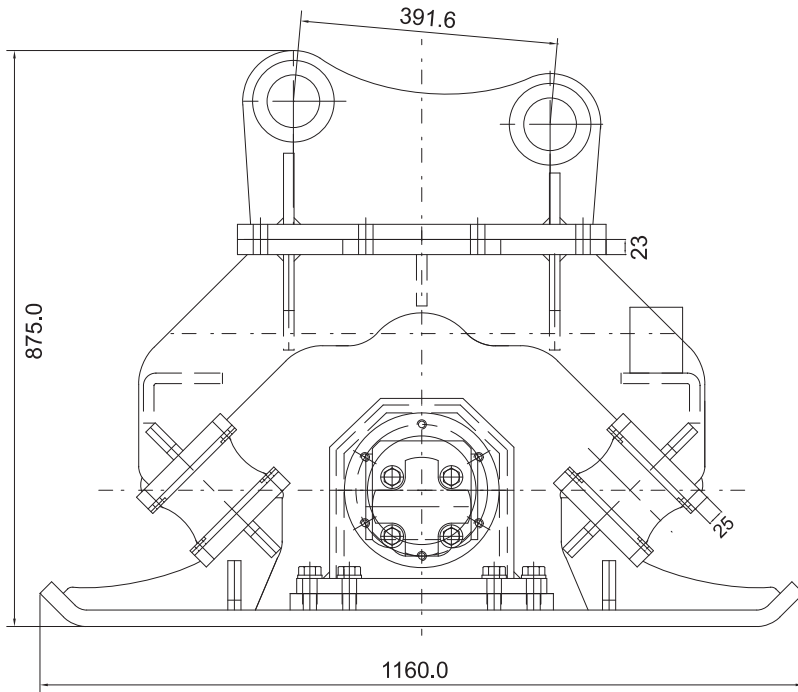
## SPECIAL FEATURES

- High-quality oil pressure to all types of models
- All-in-one control valve blocking oil flow
- High efficiency in compacting the narrow ditch/trench works

**CATCO<sup>®</sup>**

## OVERALL DIMENSIONS

# GB COMPACTOR



## TECHNICAL SPECIFICATIONS

DESCRIPTION	UNIT	GC04	GC06	GC08	GC10
Hardening force	ton	4.0	6.5	15	15
Frequency of vibration	rpm	2,000	2,000	2,000	2,000
Oil flow	l/m	45~75	85~105	120~170	120~170
Pressure force	kg/cm <sup>2</sup>	100~130	100~130	150~200	150~200
Weight	kg	270	500	900	950
Bottom plate size (L x W x T)	mm	900x550x25	1,160x700x28	1,350x900x30	1,350x900x30
Height (H)	mm	760	920	1,060	1,100
Width (W)	mm	550	700	900	900
Suitable excavator	ton	4~8	8~16	17~25	25~33

- The specifications of this equipment are subject to change for improvements.

# CATCO®

Via Tocumen, El Crisol No. 1  
Panama, R. de Panama  
email: [rfteran@tractosal.com](mailto:rfteran@tractosal.com)  
[www.catco-sa.com](http://www.catco-sa.com)