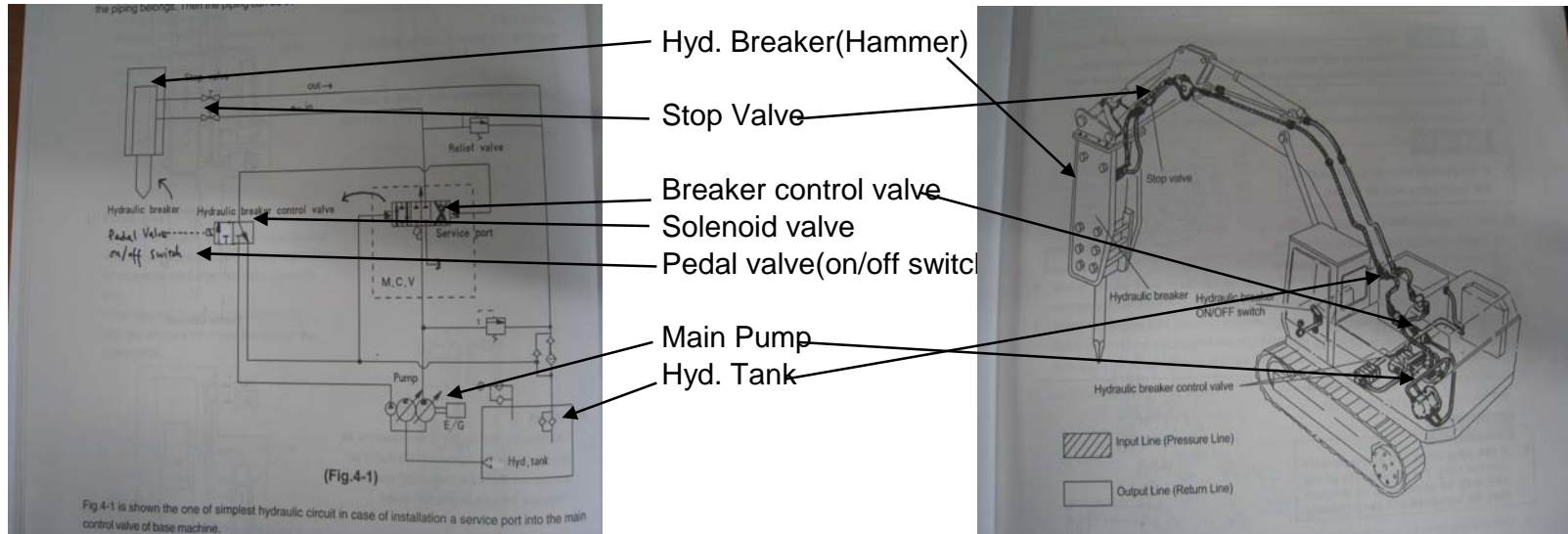
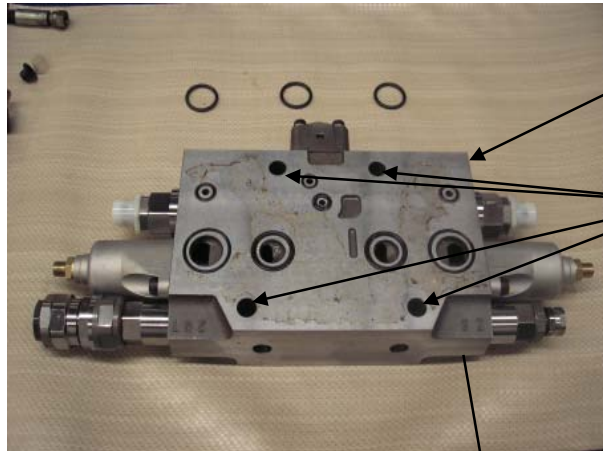


*** BREAKER PIPING Setup***



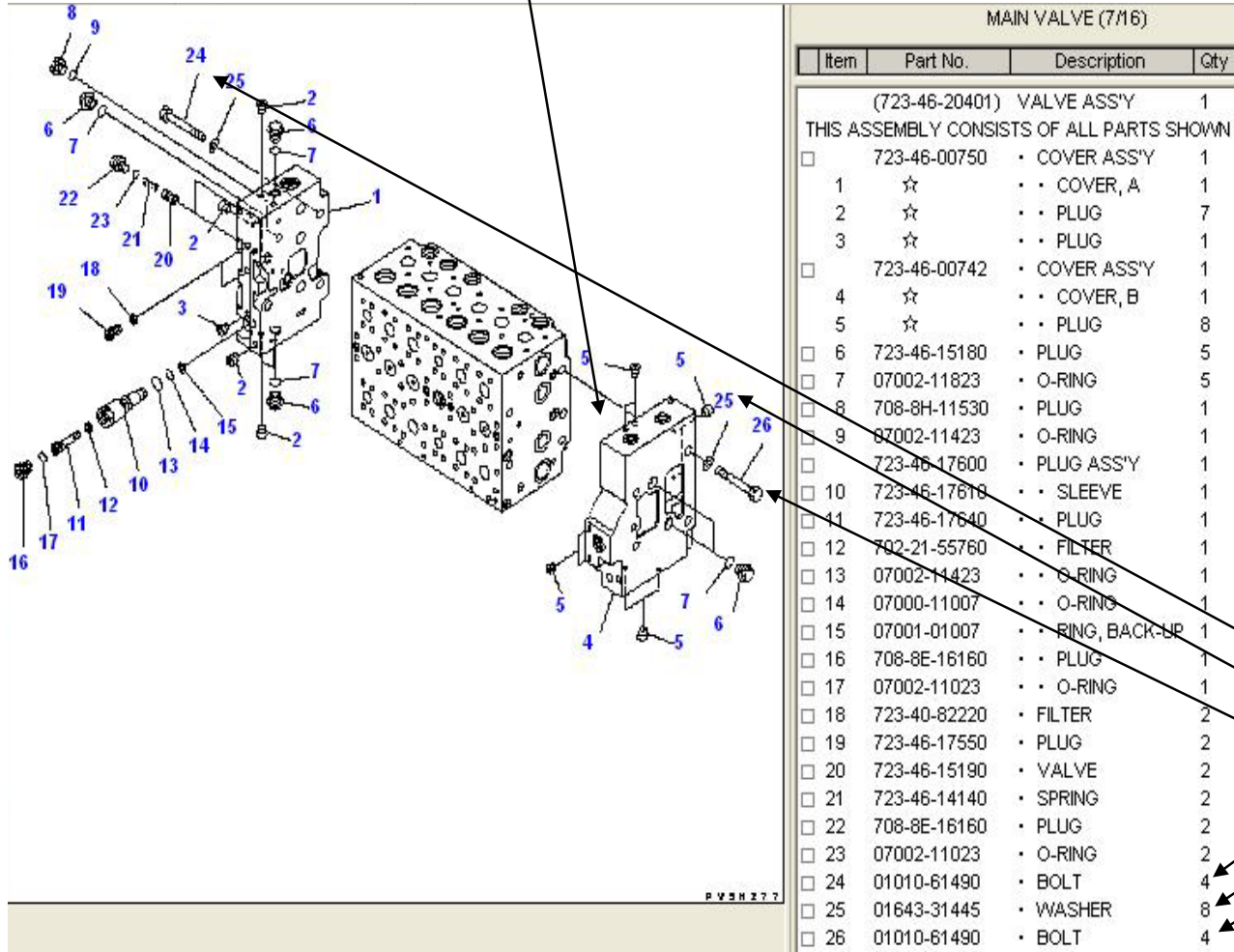
CATCO



Breaker control valve(to be supplied with piping kit from EDDIE)
For PC200-7/PC200-8/PC300-8

Bolt hole(4) for assembling

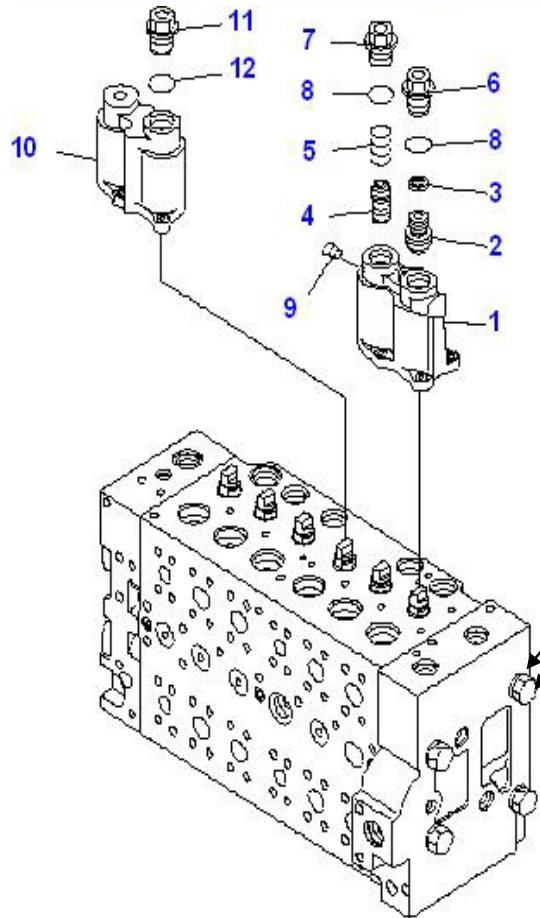
CATCO



MAIN VALVE (7/16)			
Item	Part No.	Description	Qty
	(723-46-20401)	VALVE ASS'Y	1
THIS ASSEMBLY CONSISTS OF ALL PARTS SHOWN I			
<input type="checkbox"/>	723-46-00750	• COVER ASS'Y	1
1	☆	• • COVER, A	1
2	☆	• • PLUG	7
3	☆	• • PLUG	1
<input type="checkbox"/>	723-46-00742	• COVER ASS'Y	1
4	☆	• • COVER, B	1
5	☆	• • PLUG	8
<input type="checkbox"/>	723-46-15180	• PLUG	5
<input type="checkbox"/>	07002-11823	• O-RING	5
<input type="checkbox"/>	708-8H-11530	• PLUG	1
<input type="checkbox"/>	07002-11423	• O-RING	1
<input type="checkbox"/>	723-46-17600	• PLUG ASS'Y	1
<input type="checkbox"/>	723-46-17610	• • SLEEVE	1
<input type="checkbox"/>	723-46-17640	• • PLUG	1
<input type="checkbox"/>	702-21-55760	• • FILTER	1
<input type="checkbox"/>	07002-11423	• • O-RING	1
<input type="checkbox"/>	07000-11007	• • O-RING	1
<input type="checkbox"/>	07001-01007	• • RING, BACK-UP	1
<input type="checkbox"/>	708-8E-16160	• • PLUG	1
<input type="checkbox"/>	07002-11023	• • O-RING	1
<input type="checkbox"/>	723-40-82220	• FILTER	2
<input type="checkbox"/>	723-46-17550	• PLUG	2
<input type="checkbox"/>	723-46-15190	• VALVE	2
<input type="checkbox"/>	723-46-14140	• SPRING	2
<input type="checkbox"/>	708-8E-16160	• PLUG	2
<input type="checkbox"/>	07002-11023	• O-RING	2
<input type="checkbox"/>	01010-61490	• BOLT	4
<input type="checkbox"/>	01643-31445	• WASHER	8
<input type="checkbox"/>	01010-61490	• BOLT	4

Bolt(4)
Washer(8)
Bolt(4)

CATCO



MAIN VALVE (3/16)			
Item	Part No.	Description	Qty
	(723-46-20401)	VALVE ASS'Y	1
THIS ASSEMBLY CONSISTS OF ALL PARTS SHOWN IN			
	☆	• BODY SUB ASS'Y	1
<input type="checkbox"/>	723-46-18400	• • CASE SUB ASS'Y	1
1	☆	• • • CASE	1
2	☆	• • • PISTON	1
3	☆	• • • SEAL	1
<input type="checkbox"/>	4 723-46-17320	• • • SPOOL	1
<input type="checkbox"/>	5 723-46-17330	• • • SPRING	1
<input type="checkbox"/>	6 723-46-15630	• • • PLUG	1
<input type="checkbox"/>	7 723-46-17340	• • • PLUG	1
<input type="checkbox"/>	8 07000-13024	• • • O-RING	2
9	☆	• • • SCREW	3
<input type="checkbox"/>	723-46-18200	• • CASE SUB ASS'Y	1
10	☆	• • • CASE	1
<input type="checkbox"/>	11 723-46-15630	• • • PLUG	1
<input type="checkbox"/>	12 07000-13024	• • • O-RING	1